

DL 645

Tripod Turnstile for Internal Installation

Technical Specification

Drive:	Hand operated
Orientation:	Pass Left or Pass Right
Materials:	Casework: 304 Grade Stainless Steel SB finished
	Casework lid: 304 Grade Stainless Steel SB finished
	Tripod hub: Aluminium Alloy painted dark grey
	Tripod arms: 304 Stainless Steel tubes, polished diam 38 mm, walkway 500 mm

Function: Bi-directional, electronically controllable. When go signal is given from the access control system or from a push-button, the tripod can be rotated for 120°, allowing the passage of only one person at a time.

Mechanism: Control of the tripod operation is achieved by an electro-mechanical head mechanism located within the top section of the turnstile casework. It is silent in rotation and comprises the following standard features:

- A positive lock action that prevents two passages at one time
- A self centering mechanism to ensure complete rotation of the mechanism to the home position
- A hydraulic damper to ensure smooth operation and longer mechanism's life
- Anti backup device to prevent reverse rotation once the mechanism has moved 67° from home position.

Operating Modes: The mechanism can be configured to operate in two standard modes.

- Normally Closed: the mechanism is locked until a valid authorisation signal is received.
- Normally Open: the mechanism is permanently unlocked and will only lock if passage is attempted without a valid authorisation signal. In this mode the MTBF is significantly increased from 1.5 to 2.5 million cycles, it reduces power consumption and increases passage throughput speed.

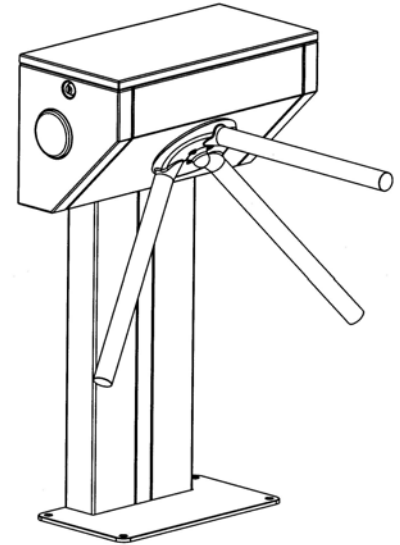
Power Failure: In case of power failure, the tripod can be configured to fail-safe (SMT), i.e. rotates freely, or fail-lock (BMT), i.e. locks in the home position. Either option is available in one or both directions.

Fire alarm – emergency input. Input facility available for free voltage contact to effect fail state.

Interface: The mechanism is controlled via the LL2001 Lite microprocessor control logic with the following standard features:

- One input for opening/locking the mechanism in each direction (voltage free contact required)
- Four protected outputs for piloting way mode indicators
- Two protected outputs for counting passage in either directions
- Two free voltage contacts indicating availability of use in either direction or for counting passage in either direction.
- User inputs for remote controlling of the unit

The unit has an adjustable time out facility, ie Go Signal will be cancelled if passage through turnstile is not completed within a pre-set adjustable time.



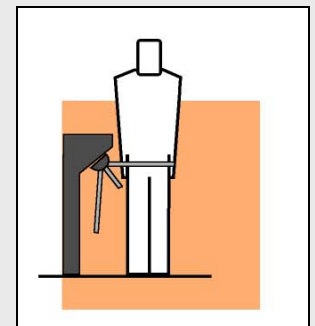
Product Description

The DL645, compact, simple and elegant, is popular in applications where the space availability is limited.

Users include

- Government
- Retail
- Finance
- Telecommunications
- Information Technology
- Banking
- Publishing
- Leisure
- Petrochemical
- Education

TRIPOD TURNSTILE



- Power Supply:** 115/230V AC 50/60Hz
- Max Power Rating:** 50VA
- Logic Voltage:** 24V dc
- Delivery Details:** The DL645 is delivered fully assembled and may require lifting gear for off loading.
The DL600 weight is approx 60 kg.
- Working Conditions:** Temp 0 - 45°C
RH 90% Max

Available models

Turnstile DL 645

- TMH644 model Wall-mounted model in 304 stainless steel SB finished – Static Hub
- TMH644 + AT51210 model SB finished stainless steel AISI 304 model with upright support – Static Hub
- TMH645 model Wall-mounted model in 304 stainless steel SB finished – Drop Arm
- TMH645 + AT51210 model SB finished stainless steel AISI 304 model with upright support – Drop Arm

Optional accessories

Cardreader Mounting (Please refer to Gunnebo Entrance Control SpA for feasibility)

- Surface mounting only of customer supplied readers
- Cardreader pedestals

Way Mode indicators

- LED Way mode indicators (Red cross and Green arrow), are available to give availability to transit in a specific direction.

Remote Controls

- MP2000 Control Module: to set turnstile operation modes (free, locked or controlled by card reader or single entry push-button)
- MCU 95 Control unit via RS485 serial link

Counters

- Electromechanical or LCD counters to count people entering or exiting the turnstile.

Drop Arm

- In the event of an emergency or isolation of the power supply, the horizontal tripod arm will drop automatically to create a clear walkway for escape.

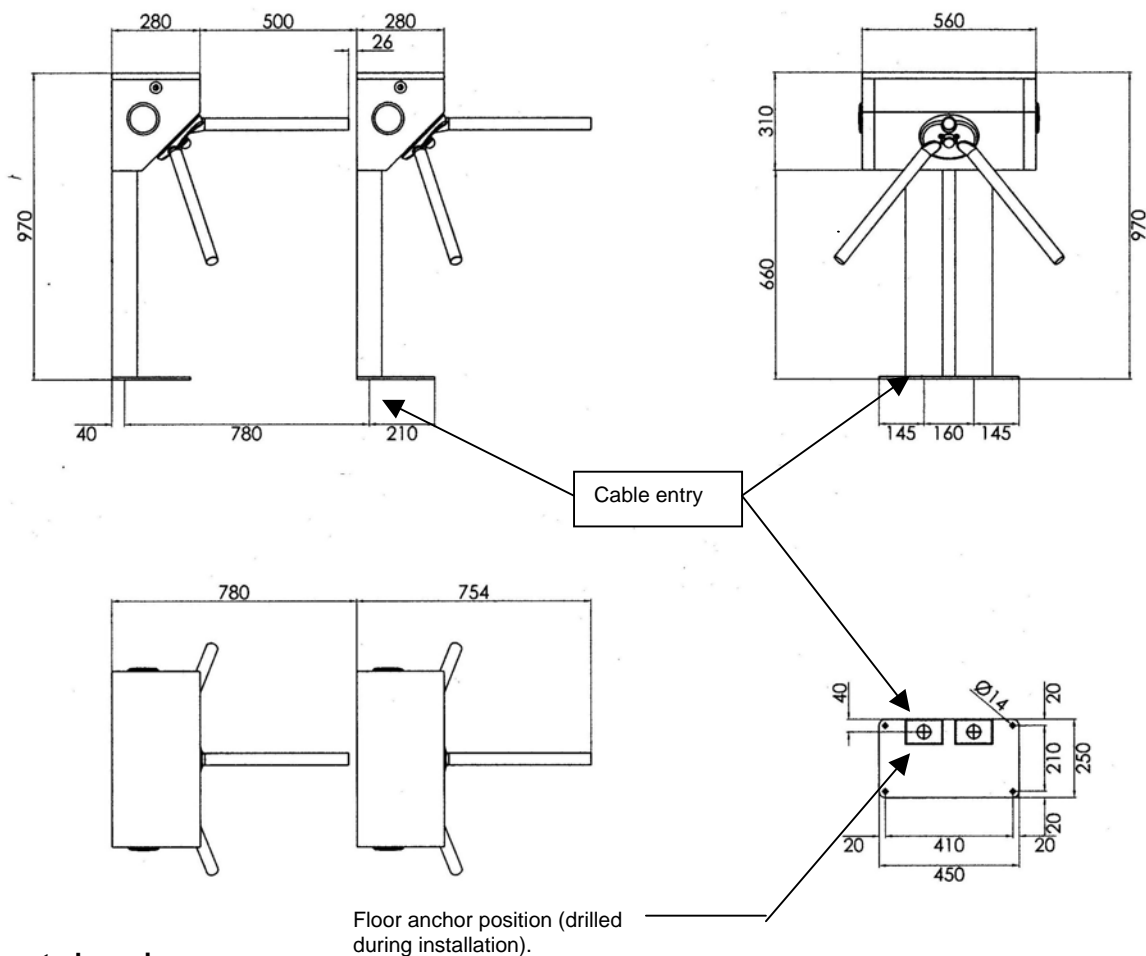
Input facility is available for free voltage contact supplied by others to effect fail state.

Installation examples

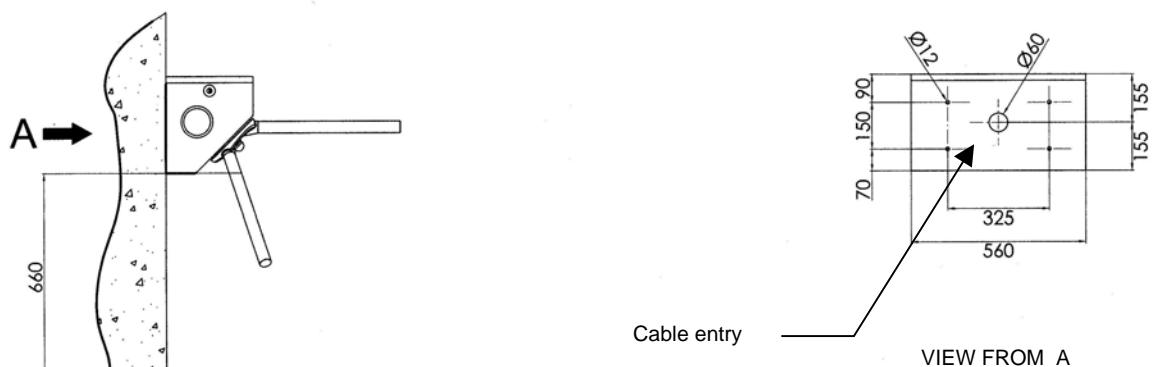


Site Preparation DL645

(for wall-mounted model please request installation drawings to Gunnebo Entrance Control SpA)



Wall-mounted version



Concrete to UNI 9858, type RCK250.
Base to be flat and level to +/-5mm over footprint area

IMPORTANT

- Any horizontal pipe or conduit runs below the DL600 must be at least 140mm below floor level.
- The dimensions reported on this Product Data Sheet are for information only. In order to prepare the Installation site, please refer to the lay-out drawings prepared by Gunnebo Entrance Control SpA or ask for confirmation.

Flow Rates

Reader Device	Number per minute
Insertion type	20
Insertion type with PIN code keypad	10
Swipe type	30
Swipe type with PIN code keypad	12
Proximity 'Hands Free'	40

- Please note the figures are approximate and must be confirmed with Gunnebo Entrance Control SpA.
- Figures quoted are for one person per complete passage per walkway and per minute.
- It is assumed the access control authorisation response is instantaneous.



ITALY

Gunnebo Entrance Control SpA, Via A Volta 15 - IT 38015, Lavis (TN)
Tel +39 0461 248 900 Fax +39 0461 248 999

info@italdis.com
www.gunneboentrance.com

Note: In pursuit of its policy of continuous refinement and improvement, Gunnebo Entrance Control SpA reserves the right to modify design and details.

A COMPANY WITHIN THE GUNNEBO GROUP.....

HEAD OFFICE SWEDEN – Gunnebo Entrance Control AB, SE-590 93, Gunnebo.
Tel +46 (0) 490 89000, Fax +46 (0) 490 23889

DENMARK Gunnebo Protection A/S
Division Entrance Control
Erhvervsparken 3, DK-4621 Gadstrup
Tel +45 46 19 14 66
Fax +45 46 19 14 55

FRANCE Gunnebo Entrance Control SARL
Zone d'Activites Le Mandinet,
20 Rue des Campanules
F-77185, Lognes
Tel +33 (0) 1 64 80 14 40
Fax +33 (0) 1 64 80 14 39

GERMANY Gunnebo Entrance Control GmbH
Diagonalstrasse 41, D-20537
Hamburg
Tel +49 (0) 40 47 11 30 0
Fax +49 (0) 40 47 11 30 79

HONG KONG Gunnebo Entrance Control
Room 2312, C.C. Wu Building,
302-308 Hennessy Road, Wanchai.
Tel +852 2882 8337
Fax +852 2523 7880

ITALY Gunnebo Entrance Control SpA
Via A Volta 15 - IT 38015
Lavis (TN)
Tel +39 0461 248 900
Fax +39 0461 248 999

NORWAY Gunnebo Troax A/S
Division Entrance Control
Postboks 179, Kalbakken N-0903, Oslo
Tel. +47 22 80 42 00
Fax +47 22 80 42 01

SPAIN Gunnebo Entrance Control
BBC, Comte d'Urgel 143, lola 08036,
Barcelona
Tel +34 93 452 59 56
Fax +34 93 451 56 53

SWEDEN Gunnebo Entrance Control
Box 500, Kumla Gardsvag 33F, 145 63
Norsborg
Tel +46 (0)8 53 17 15 75
Fax +46 (0) 8 53 18 85 39

UNITED KINGDOM Gunnebo Mayor Ltd
Bellbrook Business Park, Uckfield,
East Sussex, TN22 1QQ
Tel +44 (0) 1825 761022
Fax +44 (0) 1825 763835

USA Gunnebo Omega Inc
535 Getty Court, Suite F
Benicia, CA 94510
Tel +01 707 7480885
Fax +01 707 7456020